

KLUDI 
WATER IN PERFECTION



For Kitchens 2023

Bingo Star





KLUDI BINGO STAR
Swivel Chrome
H₁ 375 H₂ 230 A 215 Ø 48
DN Rating - 15
Min Pressure 1.0 Bar



KLUDI BINGO STAR
Swivel Stainless Steel Look
H₁ 375 H₂ 230 A 215 Ø 48
DN Rating - 15
Min Pressure 1.0 Bar



KLUDI BINGO STAR
Pull Out Chrome
H₁ 370 H₂ 220 A 215 Ø 48
DN Rating - 15
Min Pressure 2.0 Bar



KLUDI BINGO STAR
Pull Out Stainless Steel Look
H₁ 370 H₂ 220 A 215 Ø 48
DN Rating - 15
Min Pressure 2.0 Bar



KLUDI BINGO STAR
Pull Out Chrome Hand Spray
H₁ 435 H₂ 225 A 220 Ø 48
DN Rating - 15
Min Pressure 3.0 Bar



KLUDI BINGO STAR
Swivel Matt Black
H₁ 375 H₂ 230 A 215 Ø 48
DN Rating - 15
Min Pressure 1.0 Bar



KLUDI BINGO STAR
Pull Out Matt Black
H₁ 370 H₂ 220 A 215 Ø 48
DN Rating - 15
Min Pressure 2.0 Bar

Bingo Star XS





KLUDI BINGO STAR XS
Swivel Chrome
H₁ 340 H₂ 230 A 200 Ø 36
DN Rating - 15
Min Pressure 1.0 Bar



KLUDI BINGO STAR XS
Pull Out Chrome
H₁ 395 H₂ 220 A 210 Ø 38
DN Rating - 15
Min Pressure 2.0 Bar



KLUDI BINGO STAR XS
Pull Out Black/Chrome
H₁ 395 H₂ 220 A 210 Ø 38
DN Rating - 15
Min Pressure 2.0 Bar



KLUDI BINGO STAR XS
Pull Out White/Chrome
H₁ 395 H₂ 220 A 210 Ø 38
DN Rating - 15
Min Pressure 2.0 Bar



KLUDI BINGO STAR XS
Swivel Matt Black
H₁ 340 H₂ 230 A 200 Ø 36
DN Rating - 15
Min Pressure 1.0 Bar



KLUDI BINGO STAR XS
Pull Out Matt Black
H₁ 395 H₂ 220 A 210 Ø 38
DN Rating - 15
Min Pressure 2.0 Bar

L-INE S





KLUDI L-INE S
Swivel Chrome
H₁ 285 H₂ 260 A 210 Ø 36
DN Rating - 15
Min Pressure 1.0 Bar



KLUDI L-INE S
Pull Out Chrome
H₁ 295 H₂ 265 A 220 Ø 38
DN Rating - 15
Min Pressure 2.0 Bar



KLUDI L-INE S
Pull Out Chrome/Matt Black
H₁ 295 H₂ 265 A 220 Ø 38
DN Rating - 15
Min Pressure 2.0 Bar



KLUDI L-INE S
Pull Out Chrome/Matt White
H₁ 295 H₂ 265 A 220 Ø 38
DN Rating - 15
Min Pressure 2.0 Bar



KLUDI L-INE S
Swivel Matt Black
H₁ 285 H₂ 260 A 210 Ø 36
DN Rating - 15
Min Pressure 1.0 Bar



KLUDI L-INE S
Pull Out Matt Black
H₁ 295 H₂ 265 A 220 Ø 38
DN Rating - 15
Min Pressure 2.0 Bar

Steel





KLUDI Steel
Solid Stainless Steel Swivel
H₁ 200 H₂ 135 A 210 Ø 44.5
DN Rating - 15
Min Pressure 1.0 Bar



KLUDI Steel
Solid Stainless Steel Pull Out Hand Spray
H₁ 200 H₂ 125 A 215 Ø 44.5
DN Rating - 15
Min Pressure 3.0 Bar

L-Steel





KLUDI L-Steel
Swivel Stainless Steel Brushed
H₁ 300 H₂ 270 A 220 Ø 52
DN Rating - 15
Min Pressure 1.0 Bar



KLUDI L-Steel
Pull Out Stainless Steel Brushed
H₁ 300 H₂ 270 A 220 Ø 52
DN Rating - 15
Min Pressure 2.0 Bar



Water Flow Rates and pressured systems

Modern continental households have pressurised water systems ensuring a perfect flow at 3 bar pressure. Most Irish households do not have a pressurised hot water system and rely on gravity to produce water pressure. (Cold water from the mains is normally pressurised).

Hot water pressure is measured at 0.1 of a bar per metre of head height. The average two storey dwelling has approximately 4.6 metres (15 feet) of head height which equates to 0.46 of a bar.

Taps in the Kludi range cannot perform effectively at such low bar pressure. The minimum pressure rating is listed for each tap within the brochure. A pressurised water system is required for Kludi Kitchen taps.

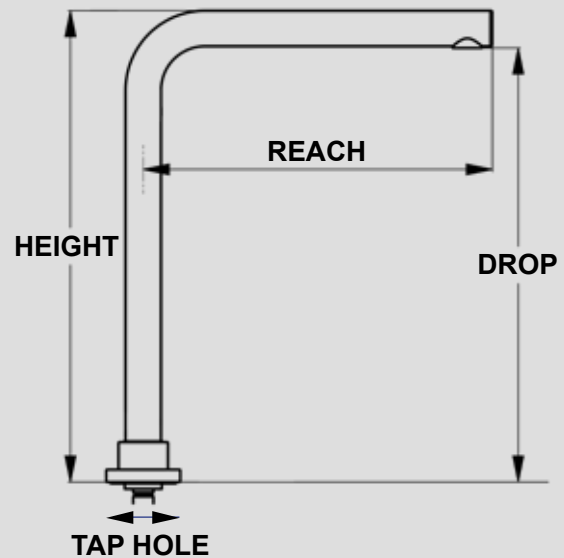
Throughout the brochure we have indicated dimensions for each tap as follows:

H_1 - for overall height

H_2 - for overall reach

A - for overall drop

\emptyset - Tap hole diameter



DN ratings:

DN rating (Diamètre Nominal) is an indication of the diameter of the threaded end of the connection hose/ tube (hot/cold water).

DN 8 equates to (1/4 inch/6.35mm)

DN 10 equates to (3/8 inch/9.53mm)

DN 15 equates to (1/2 inch/12.7mm)

Returns policy

Should you change your mind after having purchased the product and wish to return it, we will accept the item provided it is in perfect condition and in its original packaging. There will be a restocking charge. This charge will be 30% of the sale price of the goods. Return of the goods will be the responsibility of the purchaser.

Tap Warranty

All Kludi taps have a manufacturing guarantee of two years. In order for these warranty conditions to be honoured, the product must be professionally installed, using the procedures described in the service manual.

Normal wear and tear of working parts and materials are excluded from the warranty. Damage caused by impurities, chemicals, unauthorised repairs or alterations will be excluded from the warranty period. The warranty will not cover misuse or

abuse, damage of an accidental nature, scuffs or scratches, incorrect installation, abnormal or commercial usage or damage or staining caused by improper cleaning or maintenance.

The Kitchen Sink Ltd will provide replacement parts for your taps or replace your taps at our discretion. This guarantee is in addition to and does not affect your statutory rights.

The warranty is valid only with confirmation of purchase with sales receipt containing date and place of purchase.



Dimensional Sketches are for illustration only and are not for use as templates.
For additional product information and care suggestions visit our website.

**The Kitchen Sink Ltd., Unit 3, Knockmitten Industrial Park,
Knockmitten Lane, Dublin 12. D12P267
Tel.: 01 409 7723 / 01 409 7735**

**Email: sales@thekitchensink.ie
Website: www.thekitchensink.ie**